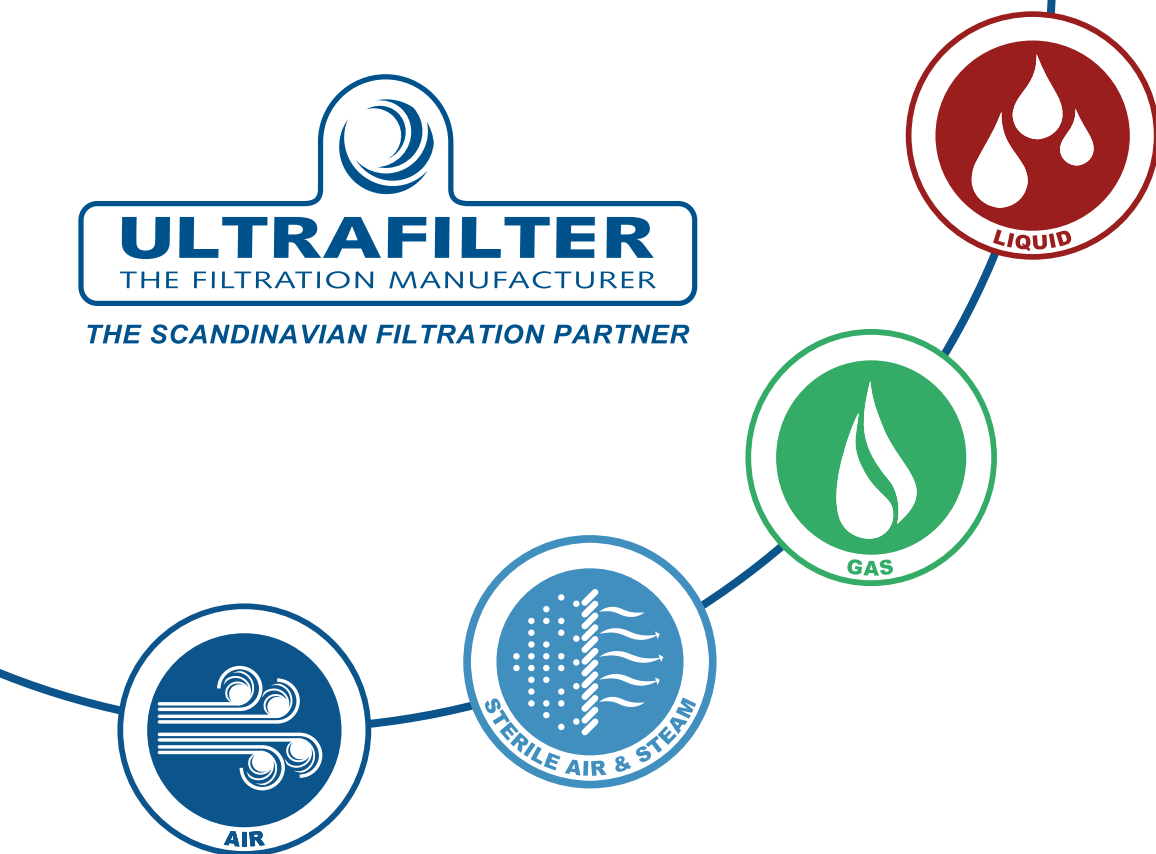



ULTRAFILTER
THE FILTRATION MANUFACTURER
THE SCANDINAVIAN FILTRATION PARTNER



ULTRAFILTER P-EG FILTER HOUSING

WWW.ULTRA-FILTER.COM

STAINLESS STEEL FILTER HOUSING

P-EG



Materials

Filter housing	Stainless steel 1.4301 (304) or 1.44.04 (316L)
Coupling nut	Stainless steel 1.4301 (304)
Plug	Stainless steel 1.4301 (304)
Housing gasket	EPDM (other gasket upon request)






Surface finish

Inner: 0006-0288 0432-1920	etched and passivated R_a 1,6
Outer: 0006-0288 0432-1920	etched, passivated and polished R_a 1,6 etched and passivated (not polished)

Connection types

BSP thread connection	standard for 0006-0288 single housing
DIN Flange	standard, starting at 0432 multiple housing
Welded ends other connections and bigger housings, in request	

Technical Data

	SS304 or SS316L
	200°C (250°C as option)
	EPDM seal (others on request)
	0006-0192: 16 bar 0288: 12 bar 0432-1920: 10 bar 25 bar on request
	PED

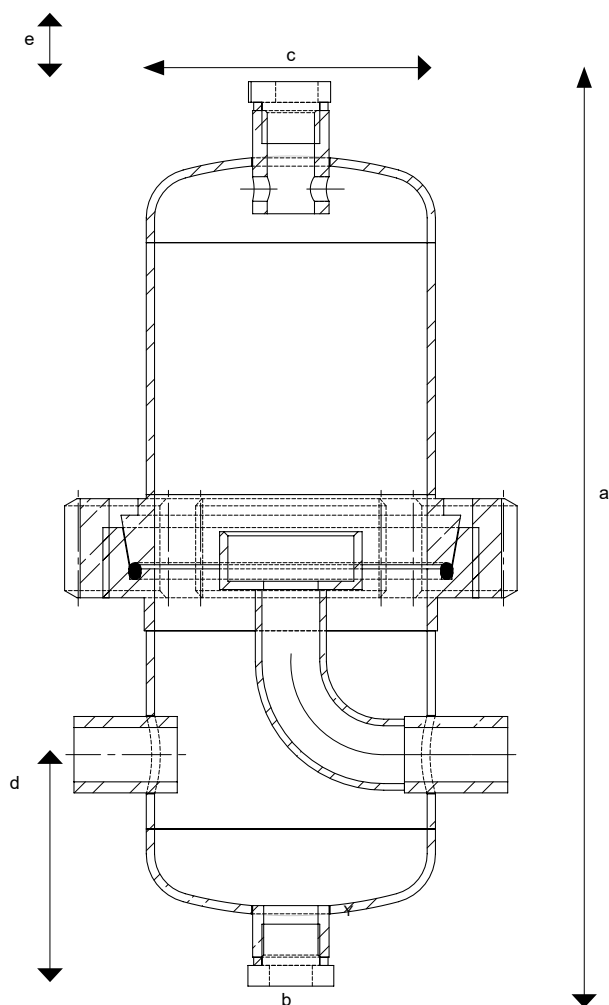
P-EG filter housings in stainless steel, designed for purification of compressed air and other technical gases.

With this filter you can achieve low differential pressure at high flow rates. P-EG Filter housings are available in 18 different sizes from 60 to 19200 Nm³/hour.

The P-EG is our first-choice housing for most process air applications. Such as pre-filtration, sterile filtration and steam filtration.

BSP / ASA CONNECTION

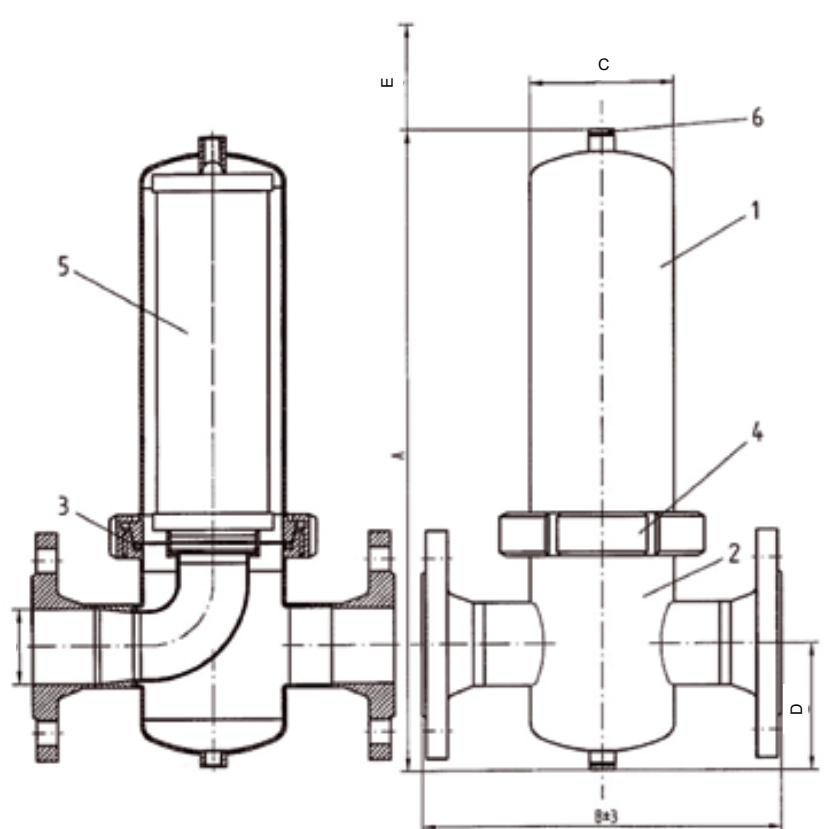
P-EG



Model	Flow (m ³ /h)		Connection in/out		Filter Element		Dimensions (mm)					Weight (kg)
	Nom.	Max.	BSP	ASA	Size	Qty	A	B	C	D	E	
P-EG 0006	60	90	R 1/4"	DN10	03/10	1	215	105	70	55	90	1,7
P-EG 0009	90	120	R 3/8"	DN10	04/10	1	243	105	70	55	120	1,9
P-EG 0012	120	180	R 1/2"	DN15	04/20	1	243	108	70	55	120	1,9
P-EG 0018	180	270	R 3/4"	DN20	05/20	1	266	125	70	55	150	2,0
P-EG 0027	270	360	R 1"	DN25	05/25	1	293	125	85	74	150	2,6
P-EG 0036	360	480	R 1 1/4"	DN32	07/25	1	344	140	85	74	200	3,0
P-EG 0048	480	720	R 1 1/2"	DN40	07/30	1	386	170	104	94	200	4,3
P-EG 0072	720	1080	R 2"	DN50	10/30	1	460	170	104	94	280	4,8
P-EG 0108	1080	1440	R 2"	DN50	15/30	1	587	170	104	94	450	5,3
P-EG 0144	1440	1920	R 2 1/2"	DN65	20/30	1	732	216	129	106	580	9,0
P-EG 0192	1920	2880	R 3"	DN80	30/30	1	987	216	129	106	850	10,8
P-EG 0288	2880	4320	R 3"	DN80	30/50	1	1026	240	154	119	850	16,2

FLANGE CONNECTION DN2633

P-EG



Model	Flow (m ³ /h)		Connection in/out	Filter Element		Dimensions (mm)					Weight (kg)
	Nom.	Max.		DIN2633	Size	Qty	A	B	C	D	
P-EG 0006	60	90	DN 10	03/10	1	215	180	70	55	90	1,7
P-EG 0009	90	120	DN 10	04/10	1	243	180	70	55	120	1,9
P-EG 0012	120	180	DN 15	04/20	1	243	180	70	55	120	1,9
P-EG 0018	180	270	DN 20	05/20	1	266	202	70	55	150	2,0
P-EG 0027	270	360	DN 25	05/25	1	293	212	85	74	150	2,6
P-EG 0036	360	480	DN 32	07/25	1	344	220	85	74	200	3,0
P-EG 0048	480	720	DN 40	07/30	1	386	254	104	94	200	4,3
P-EG 0072	720	1080	DN 50	10/30	1	460	260	104	94	280	4,8
P-EG 0108	1080	1440	DN 50	15/30	1	587	260	104	94	450	5,3
P-EG 0144	1440	1920	DN 65	20/30	1	732	290	129	106	580	9,0
P-EG 0192	1920	2880	DN 80	30/30	1	987	300	129	106	850	10,8
P-EG 0288	2880	4320	DN 80	30/50	1	1026	340	154	119	850	16,2
P-EG 0432	4320	5760	DN 100	20/30	3	1090	410	219,1	200	580	43
P-EG 0576	5760	7680	DN 100	30/30	3	1350	410	219,1	200	850	44
P-EG 0768	7680	11520	DN 150	30/30	4	1410	480	273	240	850	70
P-EG 1152	11520	15360	DN 150	30/30	6	1460	540	323,9	250	850	80
P-EG 1536	15360	19200	DN 200	30/30	8	1600	660	406,4	300	850	135
P-EG 1920	19200	23040	wDN 200	30/30	10	1600	660	406,4	300	850	135



ULTRAFILTER

THE FILTRATION MANUFACTURER

THE SCANDINAVIAN FILTRATION PARTNER

SHOP ONLINE

At www.ultra-filter.com you will find a wide selection of filtration products ready for you to order.



www.ultra-filter.com

ABOUT US

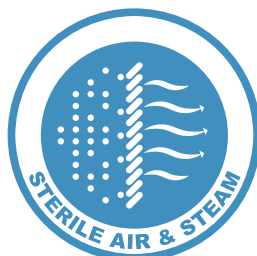
Ultrafilter Scandinavia offers a wide selection of filtration products for compressed air, liquids and gas. We have stock in Denmark and from here we distribute all of our products to Scandinavia and the Baltic countries.

Ultrafilter Scandinavia is a part of the Ultrafilter group. Our production facility is in Germany and we have several subsidiaries in Europe and the United States.

You can buy our products on local websites. Information about our products as well as brochures and manuals can be found on our website (www.ultra-filter.com).

We can adapt all of our filtration products to your needs, and we offer visits from our consultants in order to find the right solution for you. We also offer on going service on our products once they are installed.

FILTRATION OF



ULTRAFILTER SKANDINAVIEN APS

Sunekær 1
5471 Søndersø
Denmark

+45 82 30 30 20
info@ultra-filter.com
www.ultra-filter.com