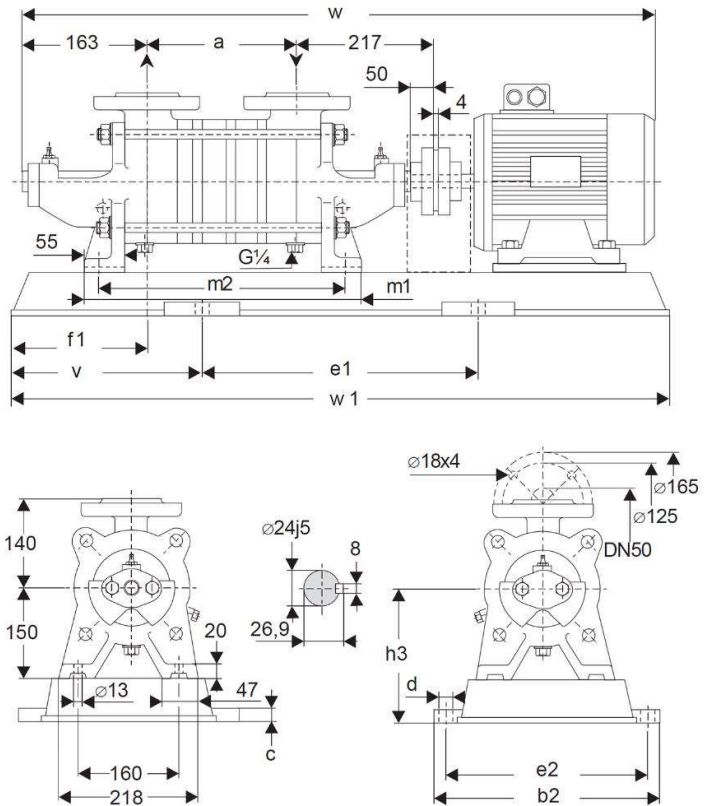
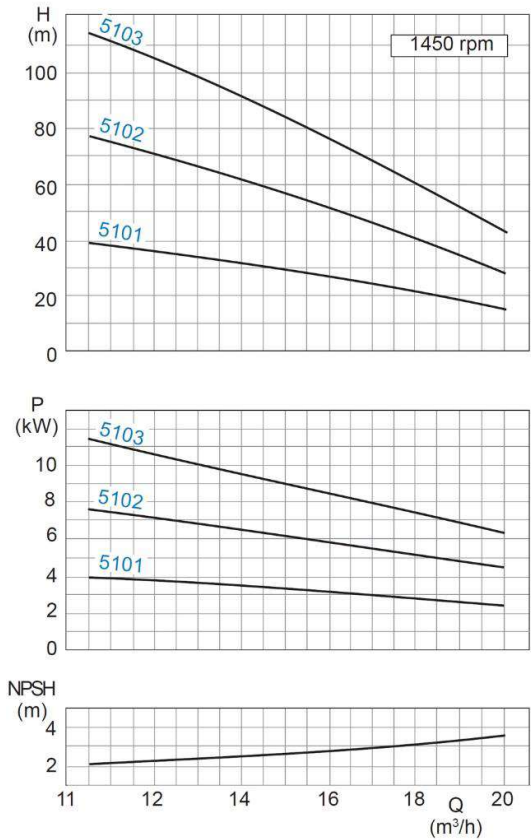


Dimension chart, pump set drawing and performance curves

AKH 5100 in Bronze (3B) and stainless steel (4B)



Values are valid for water with density = 1 kg/dm³ and viscosity = 1 cSt.

Capacity ± 10% - Delivery head ± 10% - Power + 10%

For designs with a mechanical seal or casing seal in soft Teflon, the tolerance for the delivery head is extended by 2% each.

Pump size	Motor		Base plate	Coup-ling	Weight [kg]		Dimension [mm]													
	kW	size			Pump	Set	a	b2	c	d	e1	e2	v	f1	h3	m1	m2	w*	w1	
5101	3.0	100L	P272	B80	45	98	175	360	25	19	540	320	140	99	215	329	293	931	820	
	4.0	112M				121												952		
5102	5.5	132S	P017	B95	55	168	250	361	25	15	700	325	200	99	210	404	368	1103	1100	
	7.5	132M				178												1129		
	11.0	160M	P385			262												1221		1140
5103	7.5	132M	P017	B95	64	217	325	361	25	15	700	325	200	99	210	479	443	1204	1100	
	11.0	160M	P385			271												1296		1140
	15.0	160L	P436			B110												283		540

* Design B – dimensions depend upon motor brand.

The weight of the pump in design A (only available in stainless steel) will be approx. 4.2 kg less.