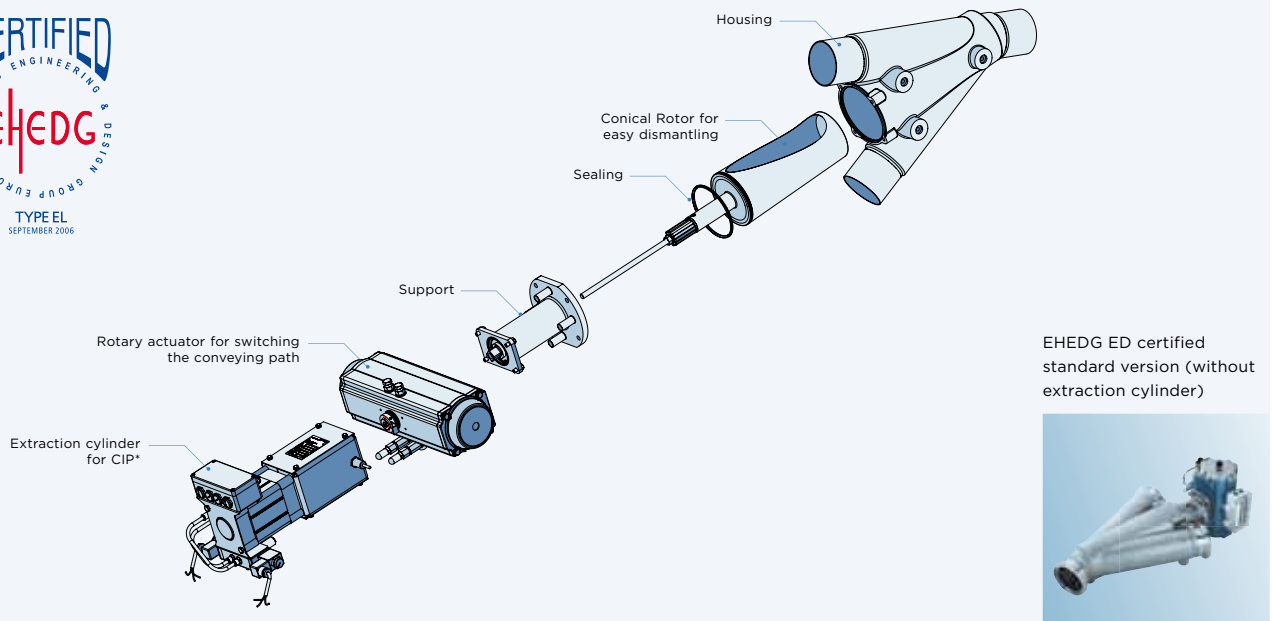


# Two-Way-Diverter Valve WYK

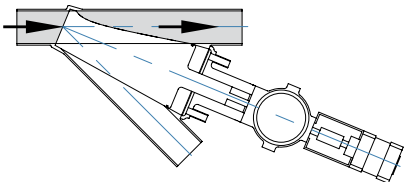


## STAINLESS STEEL DIVERTER VALVE FOR POWDERS AND GRANULAR PRODUCTS

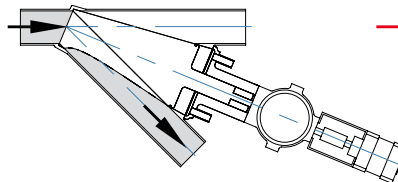
- \_ Single channel diverter valve in conical design
- \_ In sanitary and wet cleanable CIP version
- \_ For installation in conveying lines or in gravity pipes at up to 5 barg



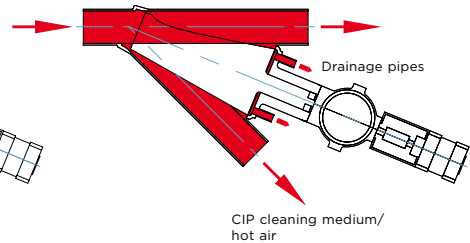
WYK-CIP:  
Pneumatic Conveying  
Straight through



Pneumatic Conveying  
Diverted 45°



CIP\*  
Rotor extracted



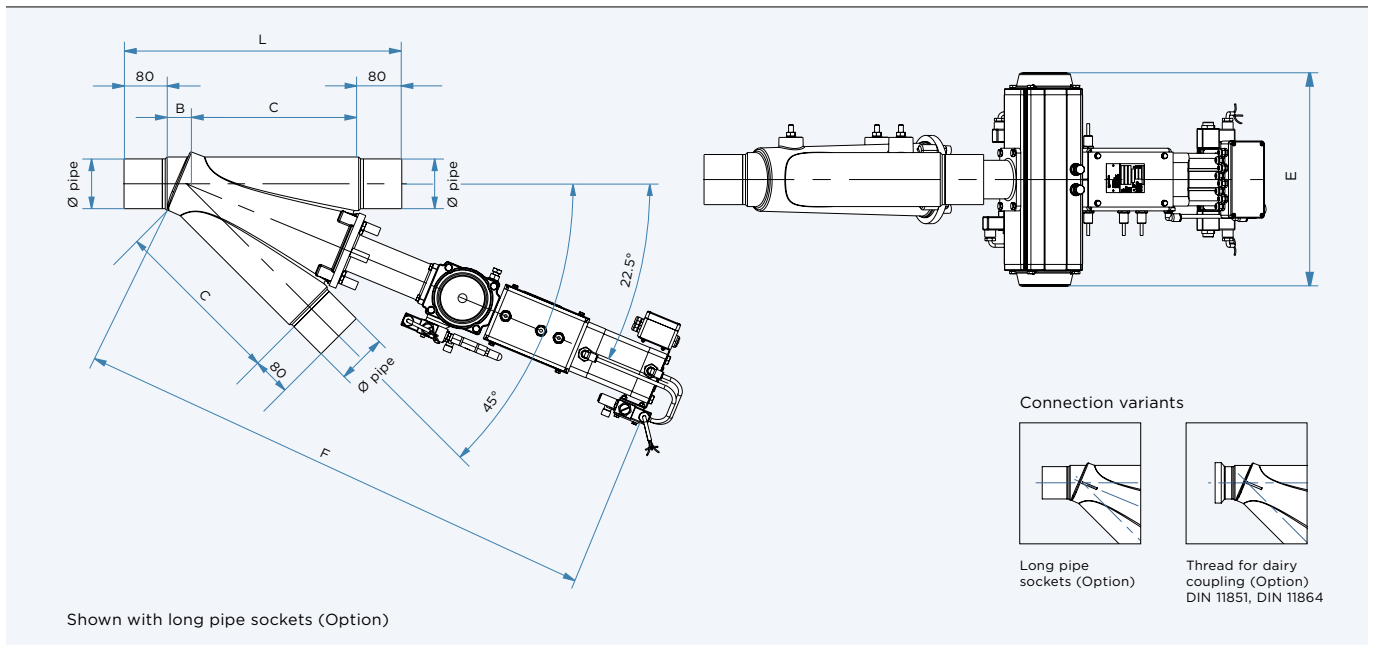
\* CIP: During automatic cleaning the rotor is extracted from the housing by extraction cylinder and completely flushed and purified by the cleaning medium.

DIVERTER VALVE FOR POWDERS AND GRANULAR PRODUCTS | WYK

**PRESSURE RANGE** 5 barg (73 psi) system and differential pressure  
**OPERATION TEMPERATURE** -20°C up to 100°C  
**APPLICATION** Suitable for fluid group 2 according PED (fluid group 1 on demand)  
**SEAL CONFIGURATION** Elastomer seal, tight clearances between rotor and housing at CIP version  
**MATERIAL OF CONSTRUCTION** Stainless steel  
**SURFACE** Product wetted parts Ra = 0,8 µm

**OPTIONS AND ACCESSORIES**

- \_ Available as CIP version (WYK-CIP) or as standard version (WYK)
- \_ EHEDG certified design for fully automatic and residue-free CIP (Cleaning In Place) without dismantling and without manual cleaning
- \_ Applicable in Ex-Zones (additional accessories required)



	Inlet/Outlet			Other dimensions						Weight appr. kg	
	A (DIN)	A (ANSI)	Ø Rohr	B	C	E	F (WYK)	F (WYK-CIP)	L	WYK	WYK-CIP
WYK 65	ND 65	2 1/2"	70 x 2	40	295	305	596	925	495	26	35
WYK 80	ND 80	3"	85 x 2	50	335	360	654	1025	545	35	40
WYK 100	ND 100	4"	104 x 2	50	370	360	701	1100	580	43	50
WYK 125	ND 125	5"	129 x 2	60	485	415	791	1300	705	65	90

Dimensions in mm